

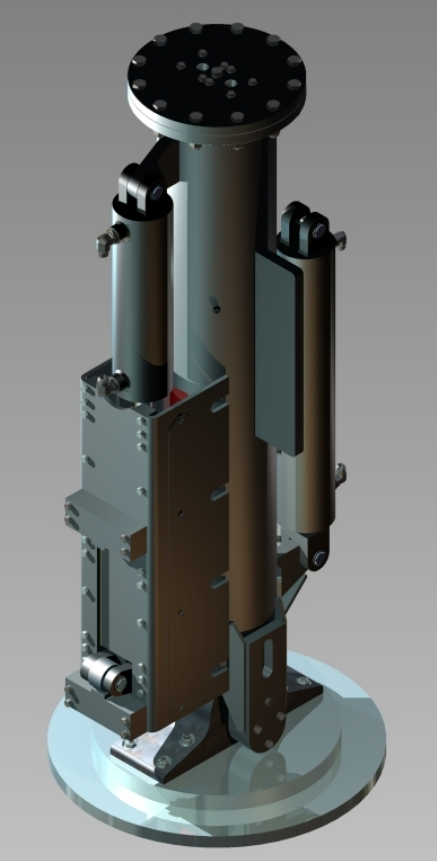


# United Service Alliance, Inc.

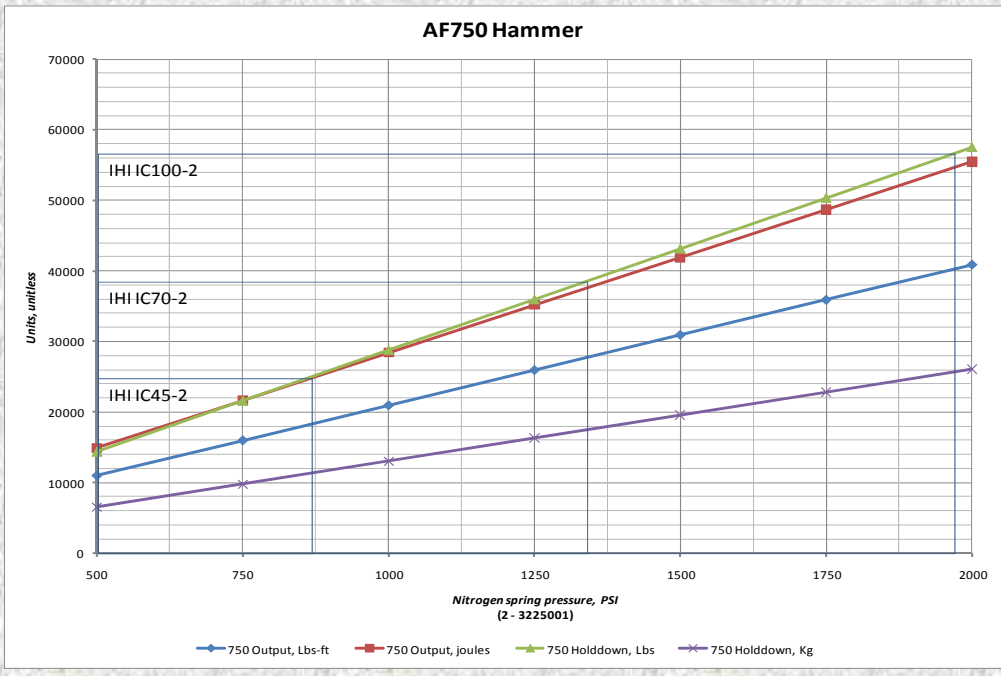
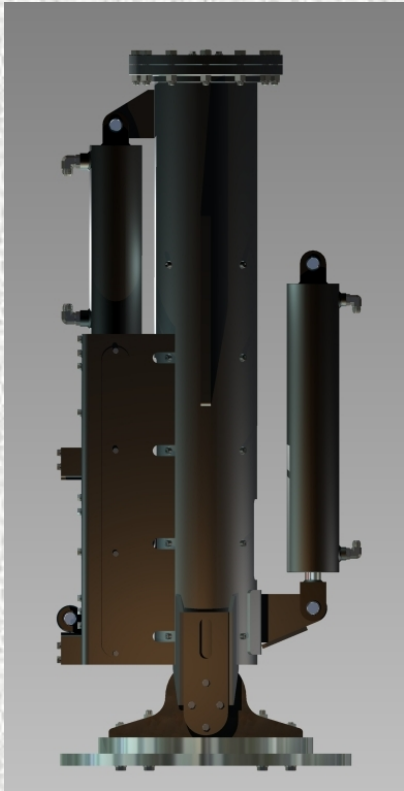
*Service with integrity.*

## AF750 HAMMER

UNITED SERVICE ALLIANCE IS PLEASED TO ANNOUNCE THE RELEASE OF A NEW FAMILY OF AUTOFIRE HAMMERS! ALL UNITS FEATURE IMPROVED COCKING GEOMETRY, UPGRADED NITROGEN SPRINGS, ENCLOSED LATCHING MECHANISMS, AND ENCLOSED HAMMERS FOR OPTIMUM SAFETY, RELIABILITY, AND PERFORMANCE!



	<i>Specifications*</i>	<i>Features / Notes</i>
<i>Model</i>	AF750	Autofire, P wave
<i>Assembly weight</i>	3454 lbs (1607 kg)	
<i>Overall height</i>	92 in (234 cm)	
<i>Hammer weight</i>	750 lbs (340 kg)	
<i>Flight distance</i>	16.50 in (42 cm)	Fully enclosed
<i>Nitrogen spring</i>	Dual	Serviceable
<i>Nitrogen pressure range</i>	500-2000 psi (34.5-138 bar)	Regulated, adjustable



**United Service Alliance, Inc.**  
 5245 Emmett F. Lowry Expressway  
 Texas City, TX 77591

**Phone:** 409-935-9500

**Fax:** 409-935-9501

**E-mail:** sales@usallianceinc.net

*\*Preliminary specifications, subject to change without notice.*